

PART NAME ADJUSTABLE SLIDE DRAWER

PART No. D-1722

MATERIAL:

PANEL _____ 12 GA. STEEL
 BODY ASSEMBLY _____ 18 GA. STEEL
 MOUNTING BRACKETS _____ 16 GA. STEEL
 HANDLE _____ ABS

FINISH:

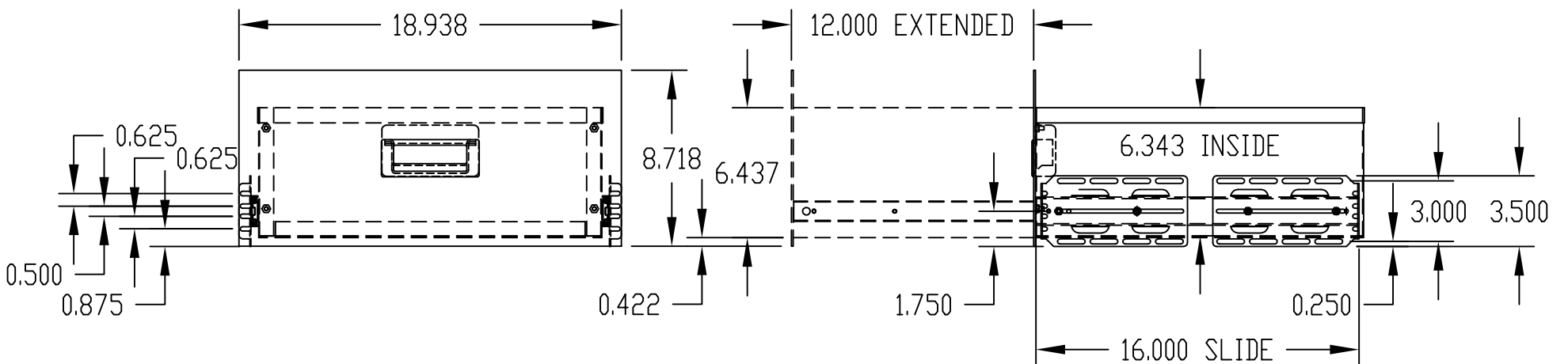
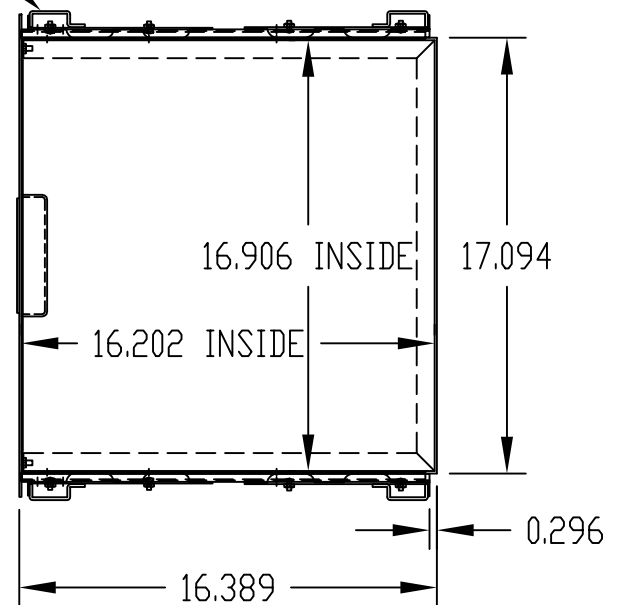
PANEL _____ WHITE TEXTURED
 METALLIC GRAY
 BLACK TEXTURED
 BODY ASSEMBLY _____ BLACK TEXTURED
 MOUNTING BRACKETS _____ SMOOTH BLACK
 HANDLE _____ BLACK

UNIT SHIPPED UNASSEMBLED.

SLIDE TRAVEL 12".

SLIDE LOAD RATING 120 LBS. PER PAIR.

REF. RACK
 PANEL MTG. RAIL



PART NAME ADJUSTABLE SLIDE DRAWER

PART No. D-1723

MATERIAL:

PANEL _____ 12 GA. STEEL
 BODY ASSEMBLY _____ 18 GA. STEEL
 MOUNTING BRACKETS _____ 16 GA. STEEL
 HANDLE _____ ABS

FINISH:

PANEL _____ WHITE TEXTURED
 METALLIC GRAY
 BLACK TEXTURED
 BODY ASSEMBLY _____ BLACK TEXTURED
 MOUNTING BRACKETS _____ SMOOTH BLACK
 HANDLE _____ BLACK

UNIT SHIPPED UNASSEMBLED.

SLIDE TRAVEL 15".

SLIDE LOAD RATING 92 LBS. PER PAIR.

REF. RACK
 PANEL MTG. RAIL

